

PA-SERIES

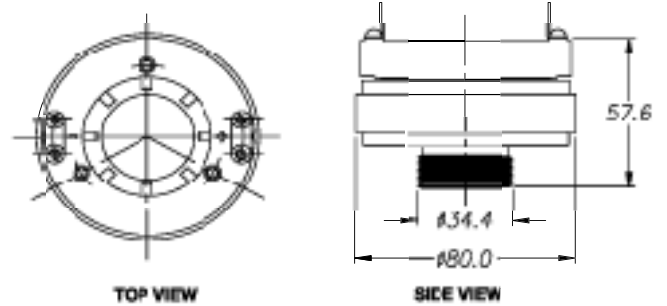
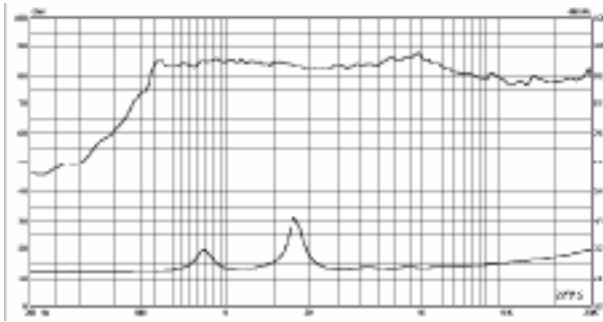
PA-D415S (COMPRESSION DRIVER)

GENERAL SPECIFICATIONS

Throat Diameter	34.4 mm
Nominal Impedance	8 Ω
Operating Bandwidth	2.5k Hz - 18k Hz
Power Handling (IEC)	20 W rms
Sensitivity @ 2.83V, 1m	100 dB 1 kHz
Mounting type	Screw-On
Net Weight	0.79 kgs (1.738Lb)
Gross Weight	0.82 kgs (1.804Lb)
Packing Dimension W x L x H (mm)	850 X 500 X 750
	33.4in X 35.4in X 29.5in
	3.4 Cu.Ft.

MATERIALS

Diaphragm	Titanium
Voice - Coil Bobbin	Kapton 400°C
Voice-Coil Size	34.4mm (1.35 in)Copper Clad Aluminium wire 300°C
Magnet	Ferrite



PA-D38 (COMPRESSION DRIVER)

GENERAL SPECIFICATIONS

Throat Diameter	22 mm (0.87 in)
Mounting Type	Screw-on
Nominal Impedance	8 ohm
D.C Resistance	7.6 ohm
Power Capacity	50 W
Sensitivity (1w/1m)	105 dB
Usable Frequency Range	500-15K Hz
Recommended Crossover	800 Hz Or Higher, 12 dB/oct. minimum
Voice Coil Diameter	37.5 mm (1.47 in)
Magnetic Assembly Weight	1.55 Kg (3.41 lb)
Flux Density	1.9 T
Magnet	Strontium Ferrite
Diaphragm	Phenolic Resin
Voice Coil Material	Round aluminium wire
Voice Coil Former	Resin Bonded Glass Fiber
Gross Weight	22.15kg/12pcs cartons (8.73Lb)
Packing Dimension W x L x H(mm)	39 X 31 X 24
	1.53in X 1.22in X 0.94in 0.17Cu.Ft.

