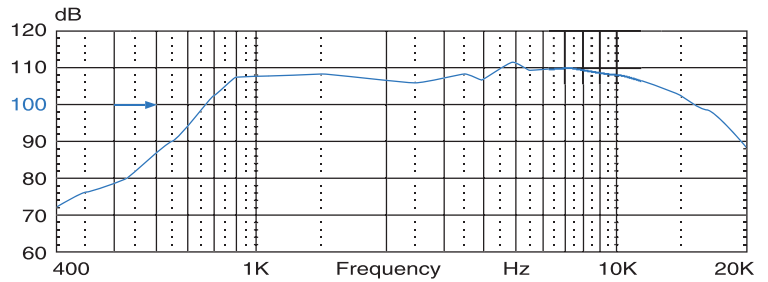
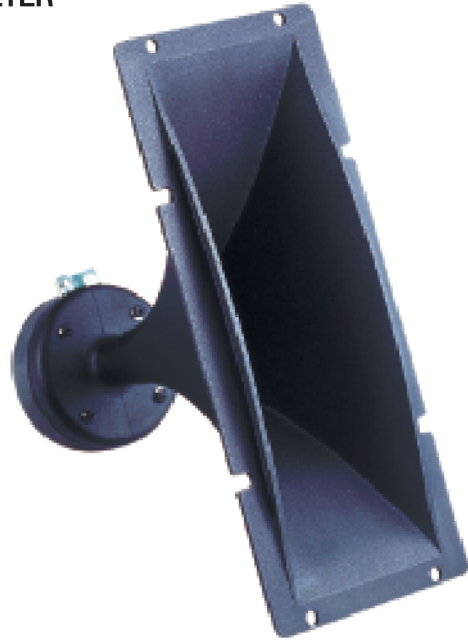
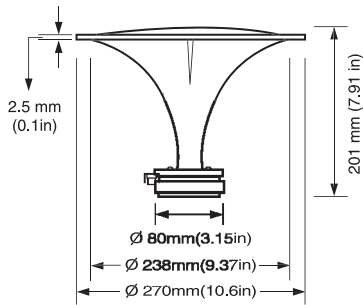
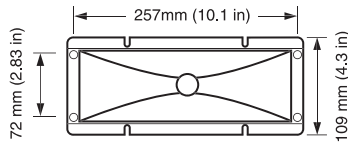


PHT-404

HIGH FREQUENCY SUPER TWEETER

GENERAL SPECIFICATIONS

Usable Frequency Range	: 3K~15K	Hz	
Power Rating	: 20	W	
Average Sensitivity (1w/1m)	: 105	dB	
Impedance	: 8	ohm	
Voice coil Diameter	: 25.4	mm	(1 in)
Voice coil Material	: Round Copper Wire		
Horn Material	: Cast Aluminium		
Diaphragm	: Phenolic Resin		
Nominal Coverage Angle	: (HxV)-5 dB 100°x 80°		
Cut off Frequency	: 780	Hz	
Mouth Width	: 270	mm	(10.6in)
Mouth Height	: 109	mm	(4.3 in)
Mouth Depth	: 201	mm	(7.91 in)
Mounting Flange Thickness	: 2.5	mm	(0.1 in)
Mounting Holes	: 4x6.35	mm	(0.25 in)



PHT-404P

HIGH FREQUENCY SUPER TWEETER

GENERAL SPECIFICATIONS

Size	110 X 268	mm	4.3X10.5 Inch
DC Resistance	7.4	Ohm	
Rated Impedance	8	Ohm	
Resonance Frequency	1756.0	Hz	
Power Handling Capacity	150	Watts MAX	
Sensitivity 1W@1m	105.0	dB	
Operating Bandwidth	3000 - 15000	Hz	
Nominal Coverage (H x V) -5 dB	100° X 80°		
Throat Diameter	20.00	mm	0.7 Inch
Recommended Crossover	2nd . Order or Higher		

PHYSICAL INFORMATION

Horn Material	A.B.S with Fiber Glass Filled
Finished	Black Polycarbonate
Diaphragm Material	Black Material
Terminal	Phenolic Resin
Mounting Type	Plated Terminal
Magnet	Screw
Voice Coil Material	Ferrite
Net Weight	CCA W
Gross Weight	1.0 Kg (2.2Lb)
Packing Dimension WxLxH (mm)	1.1 kg (2.42Lb)
	110 X 280 X 210
	(4.33in X 1.1in X 0.82in)

