

SN-SERIES

MID & BASS TRANSDUCER



APPLICATION

- Suitable for portable Active systems, Mid-Low frequency for fixed or touring sound systems.

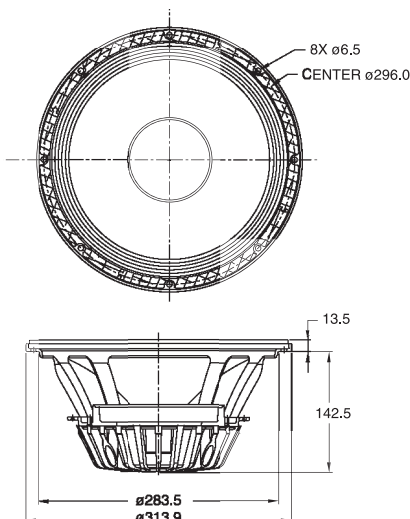
SN-12MB

MATERIALS OF CONSTRUCTION

- Glass Fiber voice coil Former CCAW wire Inside/Outside 400°C High Temp Voice Coil
- Die Cast Aluminum Basket
- Paper Cone
- Solid composition paper dust cap
- Neodymium Magnet
- Tear resistant Tetoron-cotton blend rolled cloth edge
- Cotton Polyester Blend Spider

Nominal OD.	: 12" (305mm)
Nominal Impedance	: 8 Ω
Power Rating	: 200 W(rms)
Average Sensitivity 1W @ 1 m	: 98 dB
Operating Bandwidth	: 45 Hz - 3.0K Hz
Magnet Gap Dept	: 0.39" 10 mm
Voice Coil Diameter	: 2.5", 63.7 mm
Transducer Mass	: 2.84 Kg
Net Weight	: 2.7Kg (5.94Lb)/pcs
Gross Weight	: 3.8Kg (8.36Lb)/pcs
Packing Dimension WxLxH(mm):	340 X 340 X 190 13.3in X 13.3in X 7.4in

MOUNTING INFORMATION



THIELE-SMALL PARAMETERS

Resonance Frequency	(fs)	: 45 Hz
DC Resistance	(Re)	: 5.4 Ω
Coil Inductance	(Le)	: 0.66 mH
Mechanical Q	(Qms)	: 5.99
Electromagnetic Q	(Qes)	: 0.24
Total Q	(Qts)	: 0.23
Compliance Equivalent Volume	(Vas)	: 121 Liters
Mechanical Compliance of suspension	(Cms)	: 303 μ M/N
BL Product	(BL)	: 16.03 Tm
Diaphragm mass Inc. Airload	(Mms)	: 41.20 gm
Surface Area of Cone	(Sd)	: 0.0530 Sqm
Efficiency Bandwidth Product	(EBP)	: 187.5
Voice Coil Over Hang	(X-max)	: 3.5 mm

