

# SN-SERIES

## HIGH FREQUENCY COMPRESSION DRIVER

The SN SERIES represents a new milestone in P. AUDIO's strive for technology and performance. Matter-of-factly, the introduction of the SN SERIES neodymium transducers & high frequency compression drivers takes the concept of professional speakers into a brand new dimension.

While designing the SN SERIES, P. AUDIO's engineers had three main targets in mind:

1. **Extremely light weight;**
2. **High power handling;**
3. **Captivating design.**

Well, today we can definitely say that not only have all the targets been achieved, but also that other important features have been embedded in the finished products, such as:

- an easy reconing system;
- a complete line consisting of 6 woofers and 3 drivers;
- a competitive price.

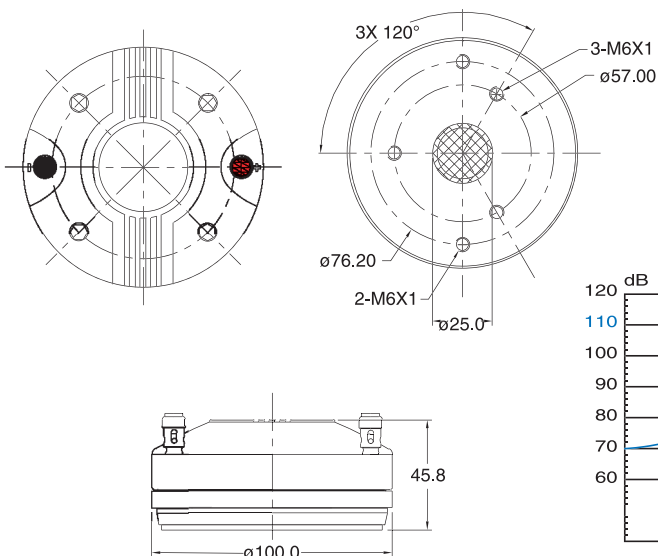
## SN-D44

### GENERAL

- Throat Diameter : 25 mm
- Nominal Impedance : 8  $\Omega$
- Operating Bandwidth: : 1.5k Hz - 20k Hz
- Power Handling (IEC) : 60 W(rms)
- Sensitivity @ 2.83V, 1m : 106 dB
- Mounting Type : **Bolt on**
- Terminals : Gold Plated Push
- Net Weight : 1.25 Kg (2.75 Lb)/pcs
- Gross Weight : 1.30 Kg (2.86 Lb)/pcs
- Packing Dimension WxLxH(mm): 100 X 100 X 65  
3.9in X 3.9in X 2.5in



### MOUNTING INFORMATION



### MATERIALS

- Diaphragm : Titanium
- Voice Coil Bobbin : Kapton 400°C
- Voice Coil Size : 44.4 mm (1.75in) Flat Aluminum wire 300°C
- Magnet : Neodymium

