

TM-SERIES

SUBWOOFER TRANSDUCER



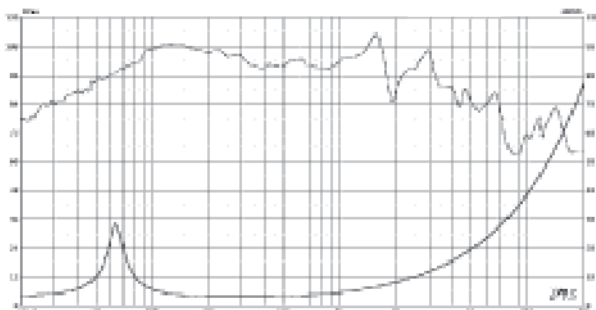
TM-8

GENERAL SPECIFICATIONS

Nominal Diameter	218	mm	8.6	Inch
Rated Impedance	4	Ohm		
Power Handling Capacity	250	W (rms)		
Sensitivity 2.83 V, 1M	85.4	dB		
Effective Piston Diameter	165	mm	6.5	Inch
Voice Coil Diameter	63.7	mm	2.5	Inch
Size	Double			

PHYSICAL INFORMATION

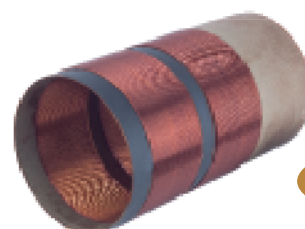
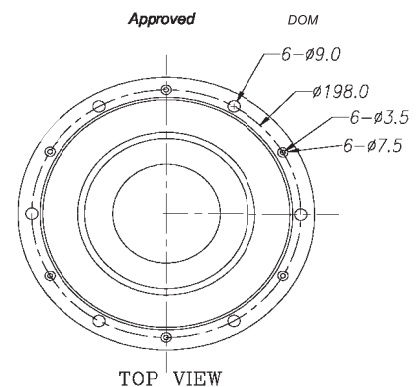
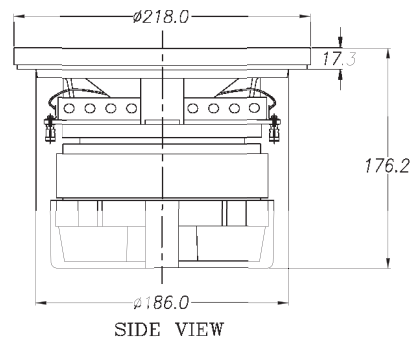
Basket	Cast Aluminum
Magnet Type	Ferrite 90.7 oz.
	Size ODxIDxH (mm)
	156 X 75 X 35
Voice Coil Former	Fiber Glass(Polymide)
	High Temp.400°C
Voice Coil Material	High Temp.300°C
	Copper Clad Aluminium Wire
Cone Material	Pulp Paper
Surround	Rubber
Dust Cap	Paper
Net Weight	6.57 Kgs/pcs (14.45Lb)
Gross Weight	7.10 Kgs/cartom (15.62Lb)
Packing Dimension	245 X 245 X 210
WxLxH (mm)	(10in X 10in X 8.26in)
	0.45 Cu.Ft



THIELE-SMALL PARAMETERS

Resonance Frequency	Fs	64.0	Hz
DC Resistance	Re	3.5	Ω
Mechanical Q Factor	Qms	5.758	
Electrical Q Factor	Qes	0.656	
Total Q Factor	Qts	0.589	
BL Factor	BL	12.44	TM
Effective Moving Mass	Mms	72.00	gr
Equivalent Cas Air Load	Vas	5.56	Liters
Effettive Piston Area	Sd	0.0213	m ²
Voice - Coil Inductance @ 1KHz	Le	0.74	mH
Half-Space Efficiency	Eff	0.21	%
Airgap Height	Hag	8.0	mm
Voice Coil Height	Hvc	30.5	mm
Voice Coil Over-Hung	Xmax	11.3	mm

MOUNTING INFORMATION



Double inside & outside
400°C 2.5 inch voice coil