



WN-720N (MID - RANGE)

GENERAL SPECIFICATIONS

Nominal Diameter	: 152 mm 6 Inch
Rated Impedance	: 8 Ω
Power Handling Capacity	: 150 Watts(rms)
Sensitivity 2.83 V, 1M	: 96.0 dB
Effective Piston Diameter	: 145 mm 5.7 Inch
Voice Coil Diameter	: 51.51 mm 2.0 Inch

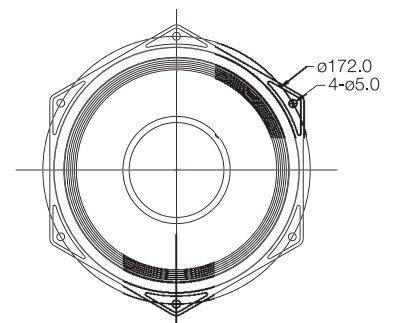
PHYSICAL INFORMATION

Basket	: Cast Aluminium Hex
Magnet Type, Size ODxDxH (mm)	: 85 x 56 x 12
Neodymium	: 6.8 oz
Voice Coil Former	: Glass Fiber Ployimide 400°C
Voice Coil Material	: Copper Clad Alu Flat Wire 300°C
Cone Material	: Pulp Paper
Surround	: Treated Cloth
Spider	: Cotton
Dust Cap	: Kavlur
Unit Weight	: 1.1 kgs(2.42Lb)/pcs
Gross Weight	: 1.3 kgs(2.86Lb)/pcs
Packing Dimension WxLxH(mm)	: 180 x 180 x 110
	: 7.08inx7.08inx4.33in
	: 0.13 Cu.Ft

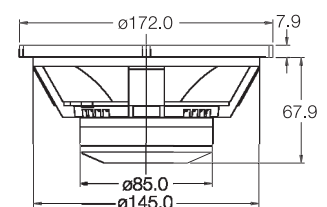
PHYSICAL INFORMATION

Resonance Frequency	Fs	117.5 Hz
DC Resistance	Re	5.1 Ω
Mechanical Q Factor	Qms	8.420
Electrical Q Factor	Qes	0.331
Total Q Factor	Qts	0.319
BL Factor	BL	12.33 TM
Effective Moving Mass	Mms	13.40 gr
Equivalent Cas Air Load	Vas	5.29 liters
Effettive Piston Area	Sd	0.0165 m ²
Voice - Coil inductance @ 1KHz	Le	0.23 mH
Half-Space Efficiency	Eff	2.51 %
Airgap Height	Hag	6.0 mm
Voice Coil Height	Hvc	11.0 mm
Voice Coil Over-Hung	Xmax	2.5 mm

MOUNTING INFORMATION



TOP VIEW



SIDE VIEW

